

0.6 m | 2 ft Standard Performance Parabolic Reflector Antenna, Dual-polarized, 1.9-2.3 GHz

**SPD2-2.1**



The SP Standard Performance Series by RadioWaves offers a full line of cost effective standard performance parabolic antennas engineered to deliver reliable radio links. Designed for both unlicensed and licensed band applications, RadioWaves field-proven pre-assembled SP antennas and robust pole-mounts ensure “set and forget” installation with minimal post-installation maintenance. If it’s rugged, it must be RadioWaves!

**FEATURES AND BENEFITS**

- Standard Performance Parabolic Antennas – Excellent performance for a wide range of licensed and unlicensed applications
- Fully Preassembled at the Factory – Simplifies installation on site and guarantees “factory-tested” quality

**SPECIFICATIONS**

**General**

Antenna Type	Standard Performance Parabolic Reflector Antenna
Size, nominal	2 ft   0.6 m
Polarization	Dual

Standard RF Connector Type	N-Female
Standard RF Connector Suffix	NS (append suffix to model number)

**Electrical**

Operating Frequency Band	1.9 - 2.3 GHz
Half Power Beamwidth, Horizontal	15 degrees
Half Power Beamwidth, Vertical	15 degrees
Cross-Polarization Discrimination	28 dB
Front to Back Ratio (F/B)	25 dB

Gain, Low Frequency	19.5 dBi
Gain, Mid Frequency	20.5 dBi
Gain, High Frequency	21.5 dBi
VSWR	1.4:1
Return Loss	-15.5 dB

## Mechanical

Fine Azimuth Adjustment	+/- 10 degrees	
Fine Elevation Adjustment	+/- 30 degrees	
Mounting Pipe Diameter, Min	2 inch   5.08 cm	
Mounting Pipe Diameter, Max	4.5 inch   11.4 cm	
Net Weight	22 lbs   9.9 kg	26 lbs   11.7 Kg with RD radome
Wind Velocity Operational	90 mph   145 km/h	
Wind Velocity Survival Rating	125 mph   201 km/h	

Mechanical Configuration	SP2	
Axial Force (FA)	222 lbs   988 N	122 lbs   543 Nm with RD radome
Side Force (FS)	14 lbs   62 N	24 lbs   107 Nm with RD radome
Twisting Moment (MT)	225 ft-lbs   305 Nm	194 lbs   263 Nm with RD radome
Operating Temperature Range	-40 to +60 C	
Max Pressure, PSIG, (if waveguide interface)	na	

## Regulatory Compliance

FCC	undeclared
Industry Canada Compliance	undeclared

ETSI	undeclared
RoHS-compliant	Yes

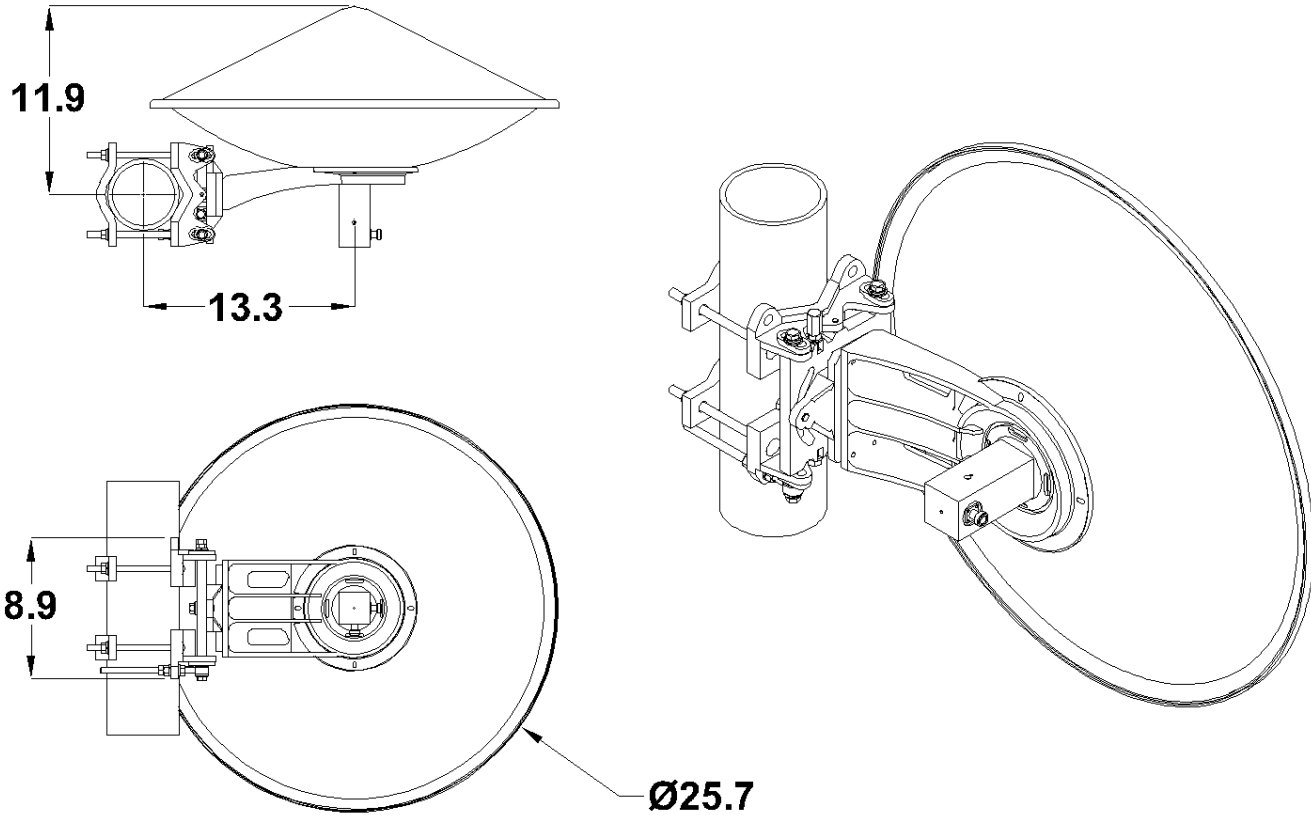
## Shipping Information

Package Type	Cardboard
Gross Weight	25 lbs   11.3 kg

Dimensions, L x W x H	28 x 8 x 28in   71 x 20 x 71 cm
Shipping Volume	3.63 cu ft   0.1 cu m

\*Additional OEM interfaces and adapters may be available. Contact RadioWaves for a complete and current list of available adapters.

TECHNICAL DRAWINGS



**SP2**