

1.2 m | 4 ft High Performance Parabolic Reflector Antenna, Dual-polarized, 14.25-15.35GHz

**HPD4-15**



**SPECIFICATIONS**

**General**

Antenna Type	High Performance Parabolic Reflector Antenna
Size, nominal	4 ft   1.2 m
Polarization	Dual

Standard RF Connector Type	WR62
Standard RF Connector Suffix	RS (append suffix to model number)

**Electrical**

Operating Frequency Band	14.25 - 15.35 GHz
Half Power Beamwidth, Horizontal	1.2 degrees
Half Power Beamwidth, Vertical	1.2 degrees
Cross-Polarization Discrimination	30 dB
Front to Back Ratio (F/B)	70 dB

Gain, Low Frequency	42 dBi
Gain, Mid Frequency	42.3 dBi
Gain, High Frequency	42.5 dBi
VSWR	1.37:1
Return Loss	-16.1 dB

**Mechanical**

Fine Azimuth Adjustment	+/- 10 degrees
Fine Elevation Adjustment	+/- 25 degrees
Mounting Pipe Diameter, Min	4.5 inch   11.4 cm
Mounting Pipe Diameter, Max	4.5 inch   11.4 cm
Net Weight	85 lbs   38.3 kg
Wind Velocity Operational	90 mph   145 km/h
Wind Velocity Survival Rating	125 mph   201 km/h

Mechanical Configuration	HP4-LoFreq
Axial Force (FA)	737 lbs   3278 N
Side Force (FS)	365 lbs   1623 N
Twisting Moment (MT)	784 ft-lbs   1063 Nm
Operating Temperature Range	-40 to +60 C
Max Pressure, PSIG, (if waveguide interface)	5

### Regulatory Compliance

FCC	undeclared
Industry Canada Compliance	SRSP314.5 C

ETSI	302217 R2 C2
RoHS-compliant	Yes

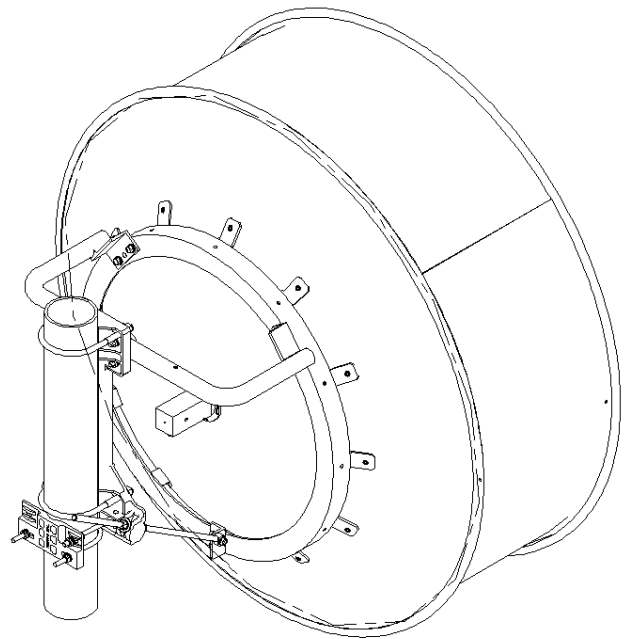
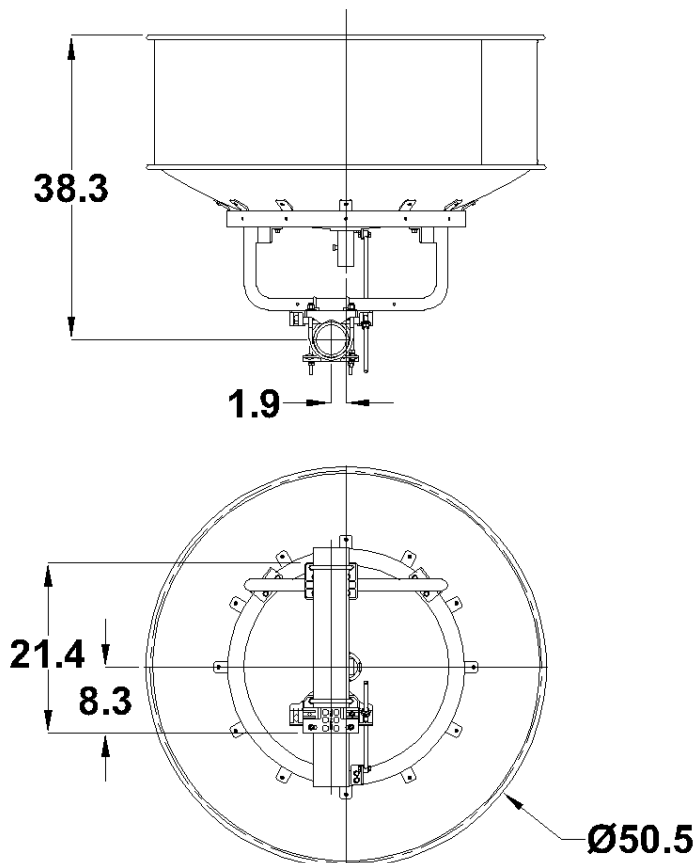
### Shipping Information

Package Type	Wood Crate
Gross Weight	196 lbs   88.9 kg

Dimensions, L x W x H	59 x 35 x 60in   180 x 89 x 152 cm
Shipping Volume	71.7 cu ft   2.03 cu m

\*Additional OEM interfaces and adapters may be available. Contact RadioWaves for a complete and current list of available adapters.

### TECHNICAL DRAWINGS



## HP4-LoFreq

