

## DUAL POLARIZED POINT TO MULTIPOINT

# SlimLine Sector Antenna

SECD-3.5SL-60-10

RadioWaves SlimLine Sector Antennas offer excellent performance in a small aesthetic form factor. The robust design ensures cost effective deployments backed by a 7 year warranty. RadioWaves offers the “right” technology for Point to Multipoint applications through attention to detail and design. Engineered with a careful balance of gain, beamwidth and size, the 3.5 GHz Sector Antenna is ideal for applications requiring dense yet unobtrusive wireless deployments.



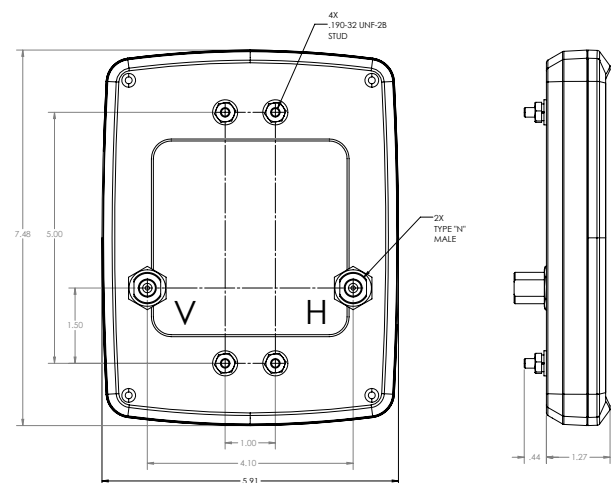
### FEATURES

- Inconspicuous modern design, ideal for public spaces, commercial, as well as enterprise applications
- Superior RF performance including dual polarization (H and V)
- Robust construction sustains 155 mph survival wind load
- Rugged compact footprint
- Ease of installation-pole and wall mountable
- 7-year warranty
- Designed and assembled in the USA

### SPECIFICATIONS

Description	Units	3.5GHz Sector
Frequency Range	MHz	3300-3800
Polarization	N/A	Dual Linear
Gain	dBi	10
Azimuth Beamwidth	Degree	60
Elevation Beamwidth	Degree	25
Impedance	Ohms	50
VSWR		1.75 (max), 1.5 (typical)
Return Loss	dB	11 (max), 14 (typical)
F/B Ratio	dB	25
Isolation	dB	20
Accessories		Pole and wall mounting brackets
Dimensions (L x W x D)	Inch	7.48" x 5.91" x 1.27"
Connectors		Dual N-Type
Temperature	F	-40° to +140° (-40° to 60° C)
Standards		IP 65, RoHS

### TECHNICAL DRAWING



For additional specifications on RadioWaves SlimLine Antennas, to request a quote or discuss other frequency options please contact RadioWaves at +1 978 459 8800 or visit our website at [www.radiowaves.com](http://www.radiowaves.com).