

0.9 m | 3 ft Standard Performance Parabolic Reflector Antenna, Dual-polarized, 2.2-2.5GHz

SPD3-2.3



The SP Standard Performance Series by RadioWaves offers a full line of cost effective standard performance parabolic antennas engineered to deliver reliable radio links. Designed for both unlicensed and licensed band applications, RadioWaves field-proven pre-assembled SP antennas and robust pole-mounts ensure “set and forget” installation with minimal post-installation maintenance. If it’s rugged, it must be RadioWaves!

FEATURES AND BENEFITS

- Standard Performance Parabolic Antennas – Excellent performance for a wide range of licensed and unlicensed applications
- Fully Preassembled at the Factory – Simplifies installation on site and guarantees “factory-tested” quality

SPECIFICATIONS

General

| | |
|---------------|--|
| Antenna Type | Standard Performance Parabolic Reflector Antenna |
| Size, nominal | 3 ft 0.9 m |
| Polarization | Dual |

| | |
|------------------------------|------------------------------------|
| Standard RF Connector Type | N-Female |
| Standard RF Connector Suffix | NS (append suffix to model number) |

Electrical

| | |
|-----------------------------------|---------------|
| Operating Frequency Band | 2.2 - 2.5 GHz |
| Half Power Beamwidth, Horizontal | 9.5 degrees |
| Half Power Beamwidth, Vertical | 9.5 degrees |
| Cross-Polarization Discrimination | 30 dB |
| Front to Back Ratio (F/B) | 30 dB |

| | |
|----------------------|----------|
| Gain, Low Frequency | 23.3 dBi |
| Gain, Mid Frequency | 23.8 dBi |
| Gain, High Frequency | 24.3 dBi |
| VSWR | 1.5:1 |
| Return Loss | -14 dB |

Mechanical

| | | |
|-----------------------------|--------------------|---------------------------------|
| Fine Azimuth Adjustment | +/- 10 degrees | |
| Fine Elevation Adjustment | +/- 25 degrees | |
| Mounting Pipe Diameter, Min | 4.5 inch 11.4 cm | |
| Mounting Pipe Diameter, Max | 4.5 inch 11.4 cm | |
| Net Weight | 35 lbs 15.8 kg | 43 lbs 19.4 Kg with RD radome |
| Wind Velocity Operational | 90 mph 145 km/h | |

| | | |
|-------------------------------|---------------------|----------------------------------|
| Wind Velocity Survival Rating | 125 mph 201 km/h | |
| Mechanical Configuration | SP3 | |
| Axial Force (FA) | 492 lbs 2189 N | 271 lbs 1206 Nm with RD radome |
| Side Force (FS) | 40 lbs 178 N | 64 lbs 285 Nm with RD radome |
| Twisting Moment (MT) | 545 ft-lbs 739 Nm | 394 lbs 534 Nm with RD radome |
| Operating Temperature Range | -40 to +60C | |

Regulatory Compliance

| | |
|----------------------------|------------|
| Industry Canada Compliance | undeclared |
| RoHS-compliant | Yes |

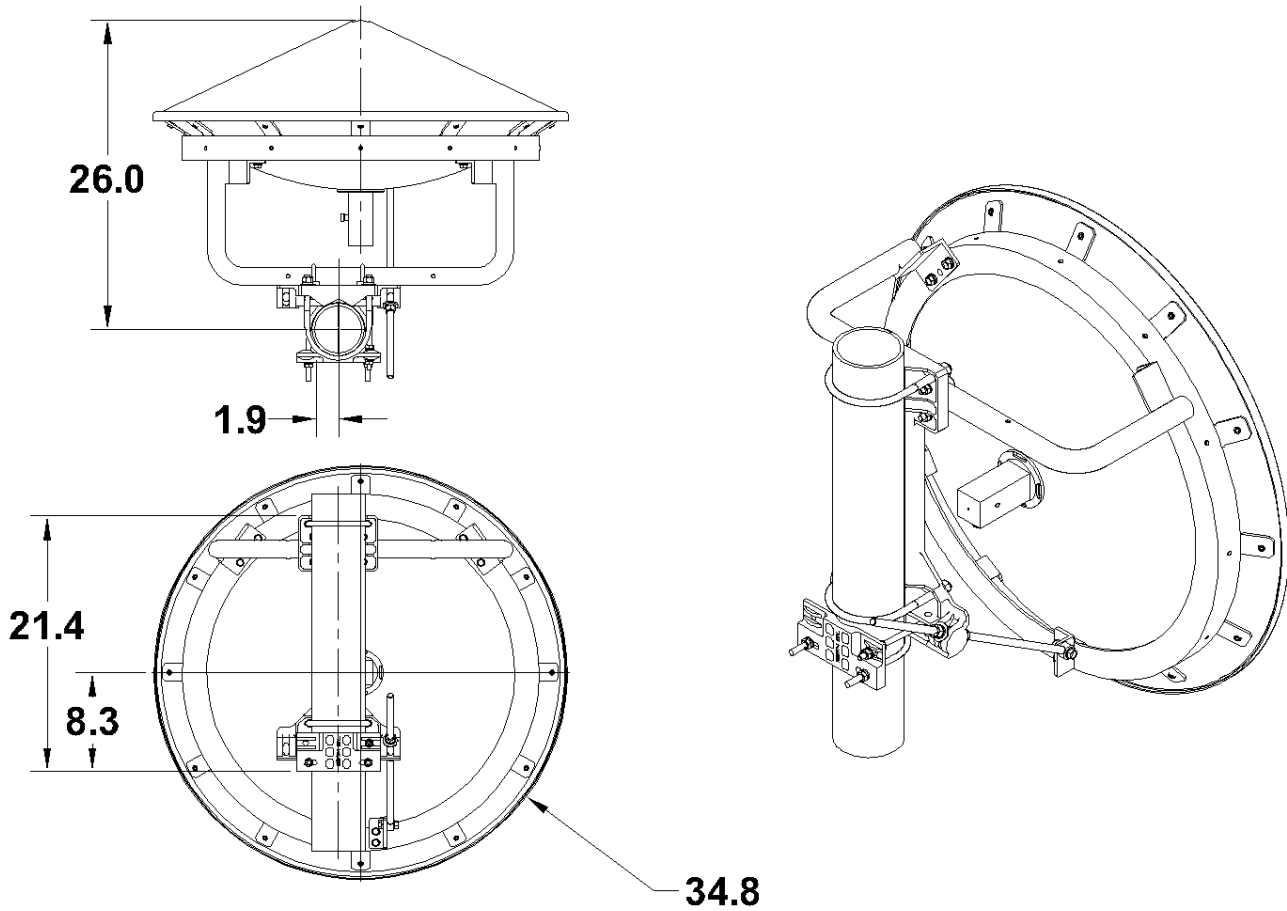
Shipping Information

| | |
|--------------|------------------|
| Package Type | Wood Crate |
| Gross Weight | 78 lbs 35.3 kg |

| | |
|-----------------------|------------------------------------|
| Dimensions, L x W x H | 40 x 17 x 44in 101 x 43 x 140 cm |
| Shipping Volume | 17.3 cu ft 0.49 cu m |

Contact RadioWaves Sales for alternate RF interface options.

TECHNICAL DRAWINGS



SP3