

1.8 m | 6 ft High Performance Parabolic Reflector Antenna, Single-polarized, 12.7-13.25GHz



HP6-13

The HP High Performance Series by RadioWaves offers a full line of high performance parabolic antennas engineered to provide ETSI class 2/3 radiation pattern performance as well as excellent gain. RadioWaves field-proven pre-assembled antennas and robust pole-mounts ensure “set and forget” installation with minimal post-installation maintenance. The included radome ensures robust and reliable performance under the most challenging conditions. If it’s rugged, it must be RadioWaves!

FEATURES AND BENEFITS

- High Performance ETSI Class 2/3* Parabolic Antennas – Excellent performance for a wide range of applications
- Fully Preassembled at the Factory – Simplifies installation on site and guarantees “factory-tested” quality

*ETSI Class depends on frequency band

SPECIFICATIONS

General

| | |
|---------------|----------------------------------------------|
| Antenna Type | High Performance Parabolic Reflector Antenna |
| Size, nominal | 6 ft 1.8 m |
| Polarization | Single |

| | |
|------------------------------|------------------------------------|
| Standard RF Connector Type | WR75 |
| Standard RF Connector Suffix | RS (append suffix to model number) |

Electrical

| | |
|-----------------------------------|------------------|
| Operating Frequency Band | 12.7 - 13.25 GHz |
| Half Power Beamwidth, Horizontal | 0.9 degrees |
| Half Power Beamwidth, Vertical | 0.9 degrees |
| Cross-Polarization Discrimination | 30 dB |
| Front to Back Ratio (F/B) | 70 dB |

| | |
|----------------------|----------|
| Gain, Low Frequency | 44.3 dBi |
| Gain, Mid Frequency | 44.4 dBi |
| Gain, High Frequency | 44.6 dBi |
| VSWR | 1.37:1 |
| Return Loss | -16.1 dB |

Mechanical

| | |
|-------------------------------|--------------------|
| Fine Azimuth Adjustment | +/- 10 degrees |
| Fine Elevation Adjustment | +/- 10 degrees |
| Mounting Pipe Diameter, Min | 4.5 inch 11.4 cm |
| Mounting Pipe Diameter, Max | 4.5 inch 11.4 cm |
| Net Weight | 251 lbs 113 kg |
| Wind Velocity Operational | 90 mph 145 km/h |
| Wind Velocity Survival Rating | 125 mph 201 km/h |

| | |
|----------------------------------------------|-----------------------|
| Mechanical Configuration | HP6 |
| Axial Force (FA) | 1680 lbs 7473 N |
| Side Force (FS) | 832 lbs 3700 N |
| Twisting Moment (MT) | 2100 ft-lbs 2847 Nm |
| Operating Temperature Range | -40 to +60 C |
| Max Pressure, PSIG, (if waveguide interface) | 5 |

Regulatory Compliance

| | |
|----------------------------|-----------------|
| FCC | Part 101 Cat. A |
| Industry Canada Compliance | SRSP312.7 A |

| | |
|----------------|--------------|
| ETSI | 302217 R1 C3 |
| RoHS-compliant | Yes |

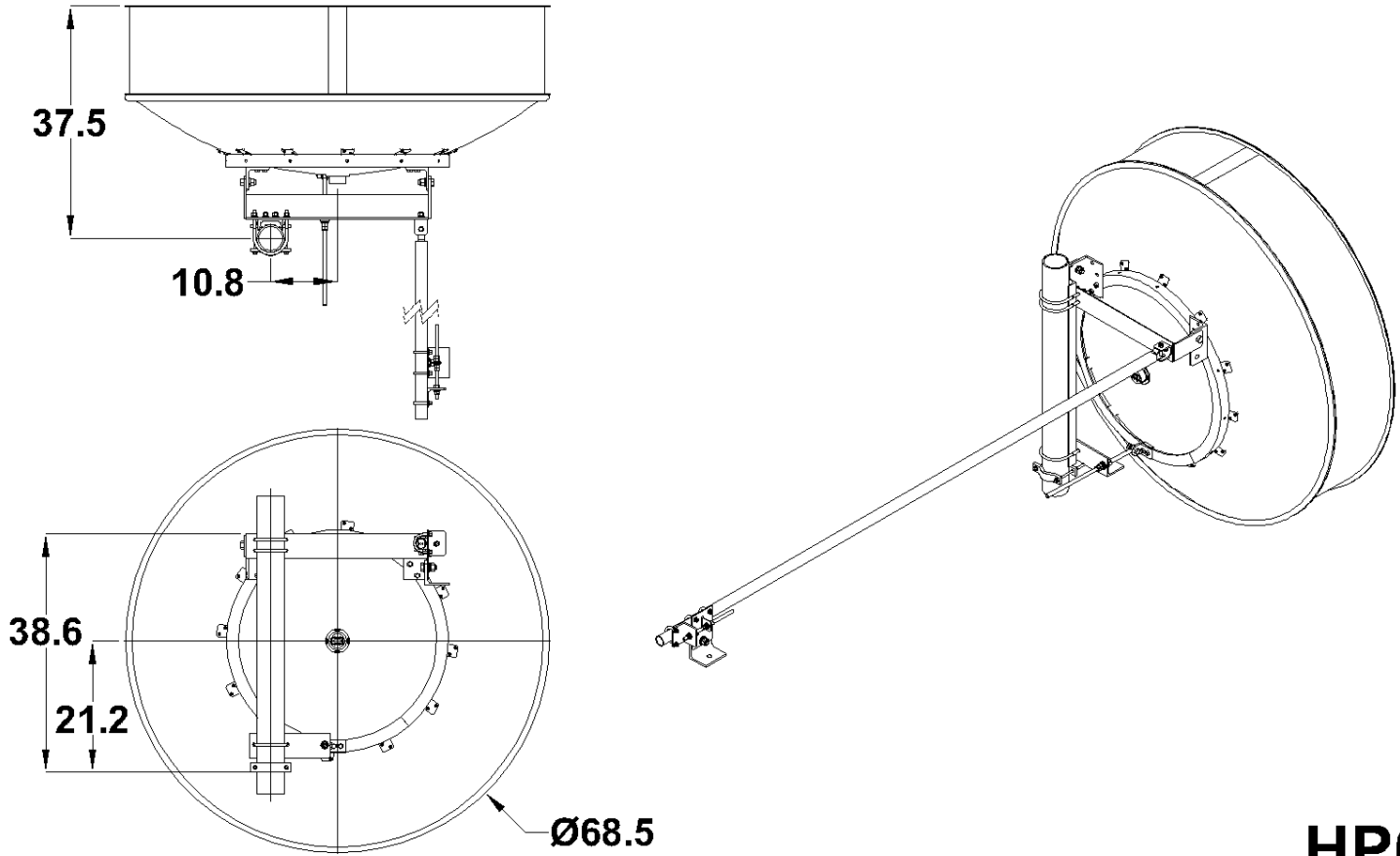
Shipping Information

| | |
|--------------|--------------------|
| Package Type | Wood Crate |
| Gross Weight | 401 lbs 181.8 kg |

| | |
|-----------------------|------------------------------------|
| Dimensions, L x W x H | 77 x 35 x 80in 195 x 89 x 203 cm |
| Shipping Volume | 124.77 cu ft 3.53 cu m |

*Additional OEM interfaces and adapters may be available. Contact RadioWaves for a complete and current list of available adapters.

TECHNICAL DRAWINGS



HP6