

0.6 m | 2 ft High Performance Parabolic Reflector Antenna, Single-polarized, 5.725-7.125GHz



HP2-6

The HP High Performance Series by RadioWaves offers a full line of high performance parabolic antennas engineered to provide ETSI class 2/3 radiation pattern performance as well as excellent gain. RadioWaves field-proven pre-assembled antennas and robust pole-mounts ensure “set and forget” installation with minimal post-installation maintenance. The included radome ensures robust and reliable performance under the most challenging conditions. If it’s rugged, it must be RadioWaves!

FEATURES AND BENEFITS

- High Performance ETSI Class 2/3* Parabolic Antennas – Excellent performance for a wide range of applications
- Fully Preassembled at the Factory – Simplifies installation on site and guarantees “factory-tested” quality

*ETSI Class depends on frequency band

SPECIFICATIONS

General

| | |
|---------------|--|
| Antenna Type | High Performance Parabolic Reflector Antenna |
| Size, nominal | 2 ft 0.6 m |
| Polarization | Single |

| | |
|------------------------------|------------------------------------|
| Standard RF Connector Type | CPR137G |
| Standard RF Connector Suffix | RS (append suffix to model number) |

Electrical

| | |
|-----------------------------------|-------------------|
| Operating Frequency Band | 5.725 - 7.125 GHz |
| Half Power Beamwidth, Horizontal | 5.4 degrees |
| Half Power Beamwidth, Vertical | 5.4 degrees |
| Cross-Polarization Discrimination | 28 dB |
| Front to Back Ratio (F/B) | 52 dB |

| | |
|----------------------|----------|
| Gain, Low Frequency | 29.2 dBi |
| Gain, Mid Frequency | 30.5 dBi |
| Gain, High Frequency | 30.8 dBi |
| VSWR | 1.37:1 |
| Return Loss | -16.1 dB |

Mechanical

| | |
|-------------------------------|--------------------|
| Fine Azimuth Adjustment | +/- 10 degrees |
| Fine Elevation Adjustment | +/- 30 degrees |
| Mounting Pipe Diameter, Min | 2 inch 5.08 cm |
| Mounting Pipe Diameter, Max | 4.5 inch 11.4 cm |
| Net Weight | 27 lbs 12.3 kg |
| Wind Velocity Operational | 90 mph 145 km/h |
| Wind Velocity Survival Rating | 125 mph 201 km/h |

| | |
|--|---------------------|
| Mechanical Configuration | HP2 |
| Axial Force (FA) | 202 lbs 899 N |
| Side Force (FS) | 100 lbs 445 N |
| Twisting Moment (MT) | 194 ft-lbs 263 Nm |
| Operating Temperature Range | -40 to +60 C |
| Max Pressure, PSIG, (if waveguide interface) | 5 |

Regulatory Compliance

| | |
|----------------------------|------------|
| FCC | undeclared |
| Industry Canada Compliance | undeclared |

| | |
|----------------|------------|
| ETSI | undeclared |
| RoHS-compliant | Yes |

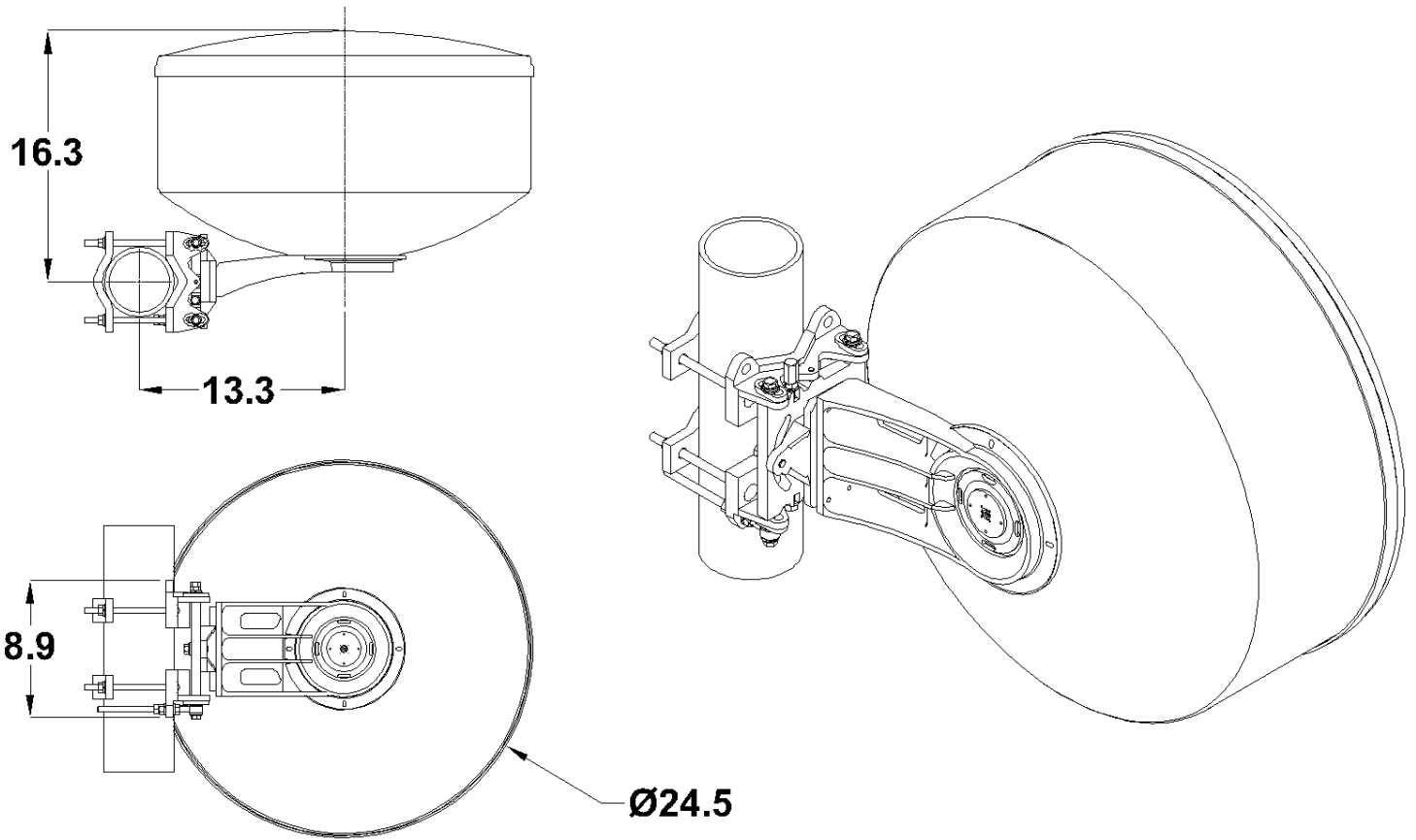
Shipping Information

| | |
|--------------|------------------|
| Package Type | Cardboard |
| Gross Weight | 48 lbs 28.7 kg |

| | |
|-----------------------|----------------------------------|
| Dimensions, L x W x H | 31 x 31 x 25in 79 x 79 x 64 cm |
| Shipping Volume | 13.9 cu ft 0.39 cu m |

*Additional OEM interfaces and adapters may be available. Contact RadioWaves for a complete and current list of available adapters.

TECHNICAL DRAWINGS



HP2