

HP8-10

2.4 M | 8 FT HIGH PERFORMANCE PARABOLIC REFLECTOR ANTENNA, SINGLE-POLARIZED, 10.15-10.7GHZ

The HP High Performance Series by RadioWaves offers a full line of high performance parabolic antennas engineered to provide ETSI class 2/3 radiation pattern performance as well as excellent gain. RadioWaves field-proven pre-assembled antennas and robust pole-mounts ensure “set and forget” installation with minimal post-installation maintenance. The included radome ensures robust and reliable performance under the most challenging conditions. If it’s rugged, it must be RadioWaves!



FEATURES AND BENEFITS

- High Performance ETSI Class 2/3* Parabolic Antennas – Excellent performance for a wide range of applications
- Fully Preassembled at the Factory – Simplifies installation on site and guarantees “factory-tested” quality
- Warranty – Industry leading 7-year warranty

*ETSI Class depends on frequency band

SPECIFICATIONS

General

Antenna Type	High Performance Parabolic Reflector Antenna	Standard RF Connector Type	CPR90G
Size, nominal	8 ft 2.4 m	Standard RF Connector Suffix	RS (append suffix to model number)
Polarization	Single		

Electrical

Operating Frequency Band	10.15 - 10.7 GHz	Gain, Low Frequency	45.7 dBi
Half Power Beamwidth, Horizontal	1 degrees	Gain, Mid Frequency	45.8 dBi
Half Power Beamwidth, Vertical	1 degrees	Gain, High Frequency	45.9 dBi
Cross-Polarization Discrimination	30 dB	VSWR	1.37:1
Front to Back Ratio (F/B)	70 dB	Return Loss	-16.1 dB

Mechanical

Fine Azimuth Adjustment	+/- 5 degrees
Fine Elevation Adjustment	+/- 5 degrees
Mounting Pipe Diameter, Min	4.5 inch 11.4 cm
Mounting Pipe Diameter, Max	4.5 inch 11.4 cm
Net Weight	424 lbs 194.5 kg
Wind Velocity Operational	90 mph 145 km/h
Wind Velocity Survival Rating	125 mph 201 km/h

Mechanical Configuration	HP8
Axial Force (FA)	2773 lbs 12334 N
Side Force (FS)	1422 lbs 6325 N
Twisting Moment (MT)	4400 ft-lbs 5965 Nm
Operating Temperature Range	-40 to +60 C
Max Pressure, PSIG, (if waveguide interface)	5

Regulatory Compliance

FCC	Part 101 Cat. A
Industry Canada Compliance	SRSP310.5

ETSI	302217 R1 C3
RoHS-compliant	Yes

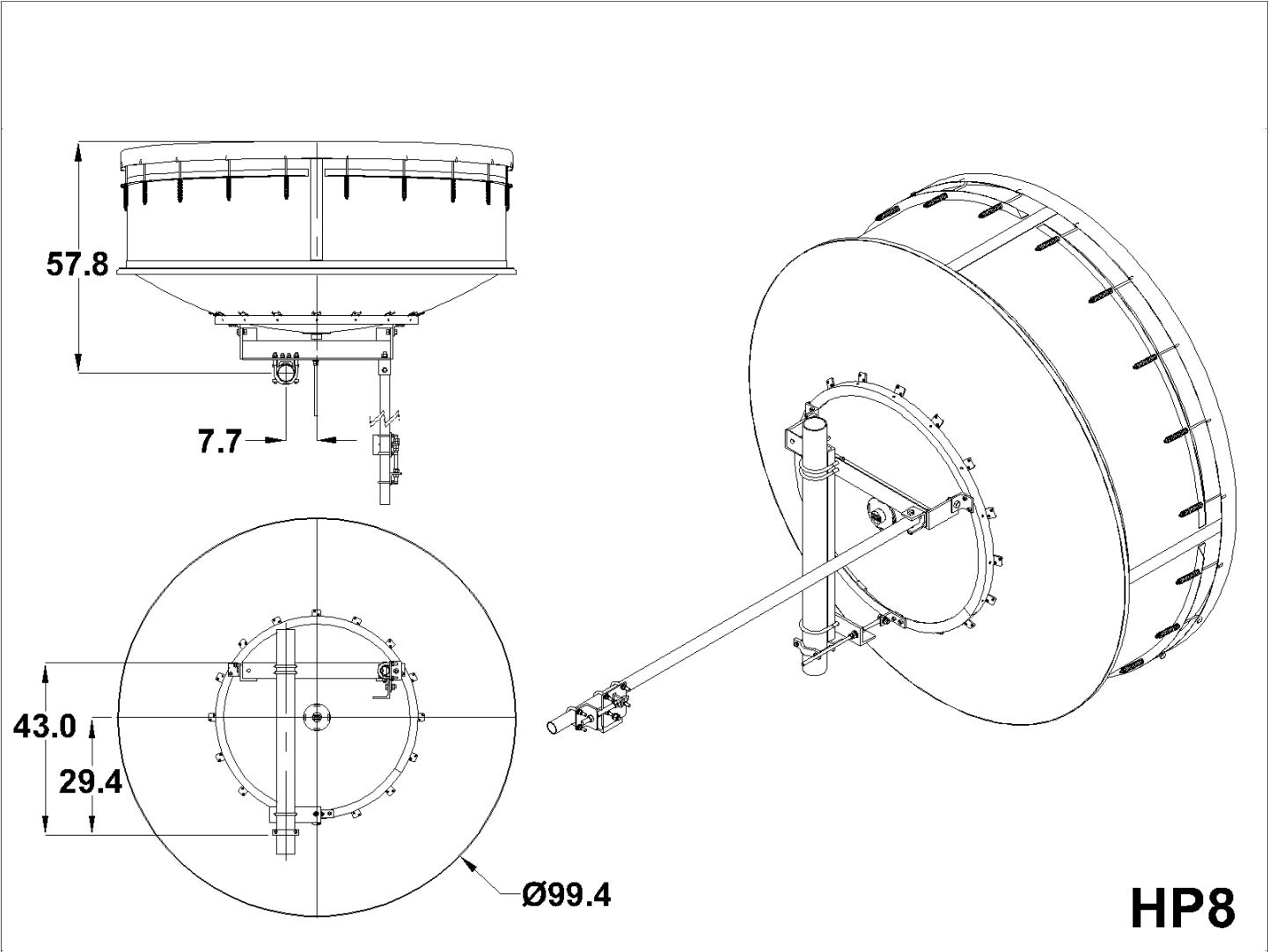
Shipping Information

Package Type	Wood Crate
Gross Weight	1122 lbs 508.9 kg

Dimensions, L x W x H	105 x 63 x 95in 249 x 203 x 218 cm
Shipping Volume	363.67 cu ft 10.3 cu m

*Additional OEM interfaces and adapters may be available. Contact RadioWaves for a complete and current list of available adapters.

TECHNICAL DRAWINGS



HP8