

0.9 m | 3 ft Standard Performance Parabolic Reflector Antenna, Single-polarized, 10.7-11.7GHz

SP3-11



SPECIFICATIONS

General

| | |
|---------------|--|
| Antenna Type | Standard Performance Parabolic Reflector Antenna |
| Size, nominal | 3 ft 0.9 m |
| Polarization | Single |

| | |
|------------------------------|------------------------------------|
| Standard RF Connector Type | CPR90G |
| Standard RF Connector Suffix | RS (append suffix to model number) |

Electrical

| | |
|-----------------------------------|-----------------|
| Operating Frequency Band | 10.7 - 11.7 GHz |
| Half Power Beamwidth, Horizontal | 2.2 degrees |
| Half Power Beamwidth, Vertical | 2.2 degrees |
| Cross-Polarization Discrimination | 30 dB |
| Front to Back Ratio (F/B) | 45 dB |

| | |
|----------------------|----------|
| Gain, Low Frequency | 37.5 dBi |
| Gain, Mid Frequency | 37.7 dBi |
| Gain, High Frequency | 37.9 dBi |
| VSWR | 1.37:1 |
| Return Loss | -16.1 dB |

Mechanical

| | | |
|-------------------------------|--------------------|---------------------------------|
| Fine Azimuth Adjustment | +/- 10 degrees | |
| Fine Elevation Adjustment | +/- 25 degrees | |
| Mounting Pipe Diameter, Min | 4.5 inch 11.4 cm | |
| Mounting Pipe Diameter, Max | 4.5 inch 11.4 cm | |
| Net Weight | 35 lbs 15.8 kg | 43 lbs 19.4 Kg with RD radome |
| Wind Velocity Operational | 90 mph 145 km/h | |
| Wind Velocity Survival Rating | 125 mph 201 km/h | |

| | | |
|--|---------------------|----------------------------------|
| Mechanical Configuration | SP3 | |
| Axial Force (FA) | 492 lbs 2189 N | 271 lbs 1206 Nm with RD radome |
| Side Force (FS) | 40 lbs 178 N | 64 lbs 285 Nm with RD radome |
| Twisting Moment (MT) | 545 ft-lbs 739 Nm | 394 lbs 534 Nm with RD radome |
| Operating Temperature Range | -40 to +60 C | |
| Max Pressure, PSIG, (if waveguide interface) | 5 | |

Regulatory Compliance

| | |
|----------------------------|------------|
| FCC | undeclared |
| Industry Canada Compliance | undeclared |

| | |
|----------------|--------------|
| ETSI | 302217 R1 C1 |
| RoHS-compliant | Yes |

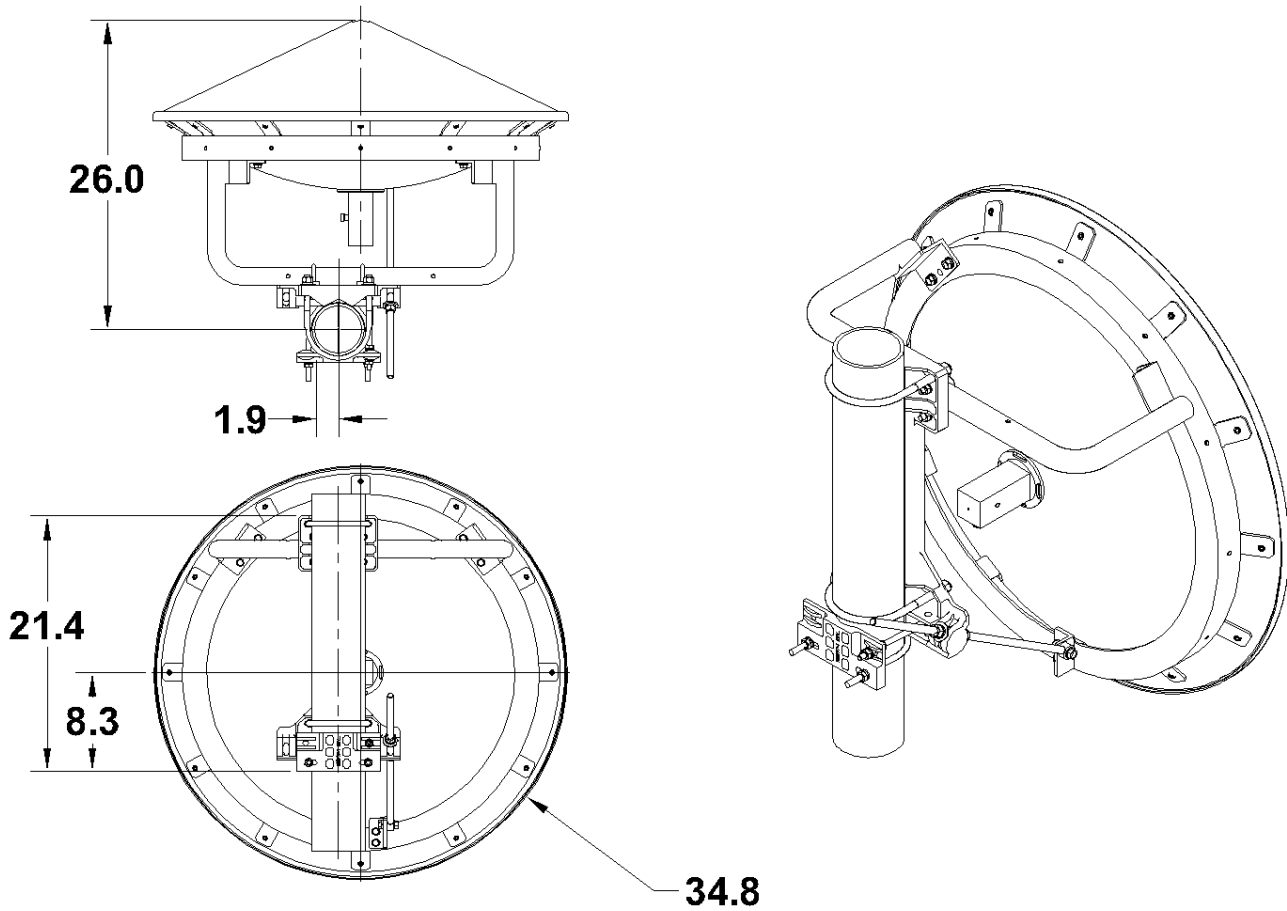
Shipping Information

| | |
|--------------|------------------|
| Package Type | Wood Crate |
| Gross Weight | 78 lbs 35.3 kg |

| | |
|-----------------------|------------------------------------|
| Dimensions, L x W x H | 40 x 17 x 44in 101 x 43 x 140 cm |
| Shipping Volume | 17.31 cu ft 0.49 cu m |

*Additional OEM interfaces and adapters may be available. Contact RadioWaves for a complete and current list of available adapters.

TECHNICAL DRAWINGS



SP3