

L1 GPS/Timing Antenna with mount included, RHCP Polarized, 1.571 to 1.61 GHz

GP-L1-32-T-MNT



The GP-L1-32-T-MNT GPS antenna recovers timing and positioning data for timing reference and phase synchronization. It filters and amplifies global positioning system signals received from GNSS, Galileo, BeiDou, QZSS satellite constellations.

The GP-L1-32-T-MNT antenna is designed with an integrated 32 dB LNA and operates within the L1 1.571 to 1.61 GHz bands. It is fully ruggedized IP67 Rated with mounting bracket included. The LNA is DC fed through the TNC Female connector and is externally grounded.

SPECIFICATIONS

General

Antenna Type	GPS Antennas
Size, nominal	0.5 ft 0.15 m

Polarization	RHCP
Standard RF Connector Type	TNC

Electrical

Operating Frequency Band	1.571 - 1.61 GHz
Half Power Beamwidth, Horizontal	360 degrees

Gain, Mid Frequency	32 dBi
VSWR	2.0:1

Mechanical

Mounting Pipe Diameter, Min	1 inch 2.5 cm
Mounting Pipe Diameter, Max	2 inch 5.1 cm
Net Weight	5 lbs 2.3 kg
Wind Velocity Operational	90 mph 145 km/h

Wind Velocity Survival Rating	125 mph 201 km/h
Mechanical Configuration	GP-L1-32-T-MNT
Operating Temperature Range	-40 to +60 C
Ingress Protection	IP67

Regulatory Compliance

Industry Canada Compliance	undeclared
RoHS-compliant	Yes

Shipping Information

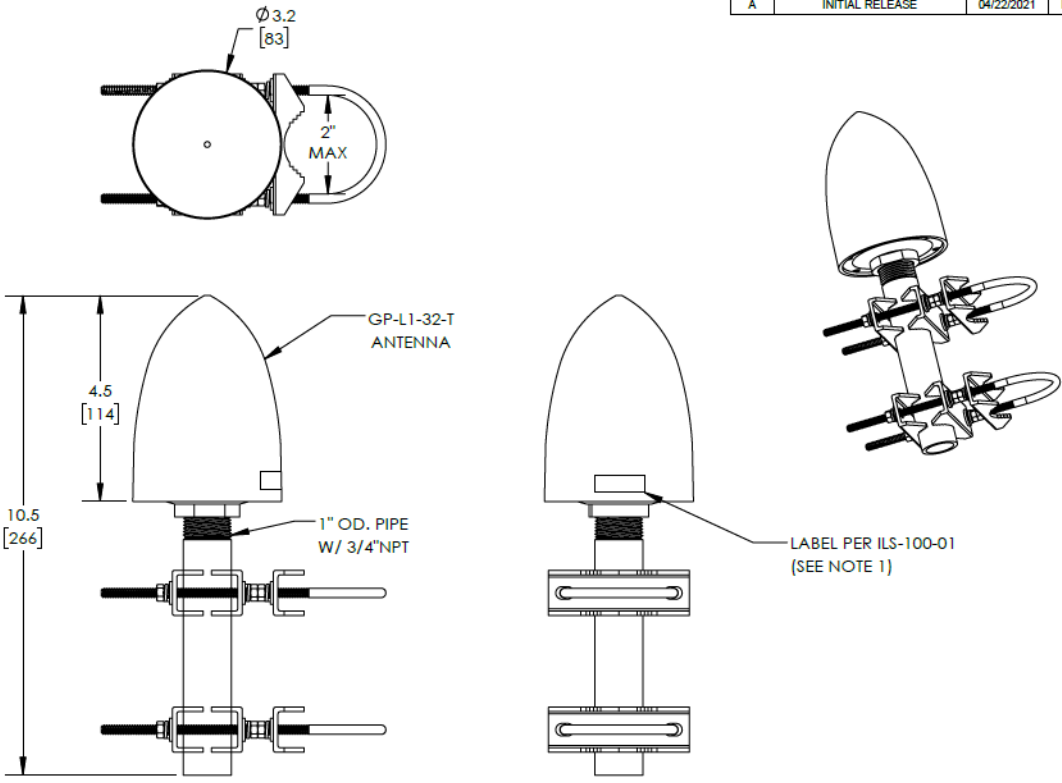
Package Type	Cardboard
Gross Weight	7 lbs 0 kg

Dimensions, L x W x H	0 x 0 x 0in 0 x 0 x 0 cm
Shipping Volume	0 cu ft 0 cu m

L1 GPS Timing Antenna and Mount Kit

TECHNICAL DRAWINGS

REVISIONS			
REV.	DESCRIPTION	DATE	APPROVED
A	INITIAL RELEASE	04/22/2021	KHIETPAS



GP-L1-32-T ANTENNA

1" OD. PIPE W/ 3/4"NPT

LABEL PER ILS-100-01 (SEE NOTE 1)

NOTES:
1. LABEL PER ILS-100-01 (FOR INTERNAL REFERENCE ONLY)
LABEL LOCATION FOR REFERENCE ONLY

THESE COMMODITIES, TECHNOLOGY OR SOFTWARE WERE EXPORTED FROM THE UNITED STATES IN ACCORDANCE WITH THE EXPORT ADMINISTRATION REGULATIONS, DIVERSION CONTRARY TO U.S. LAW PROHIBITED.

UNLESS OTHERWISE SPECIFIED LEADING DIMENSIONS ARE INCHES DIMENSIONS IN [] ARE MILLIMETERS		TOLERANCES:	
X = ±.2	[5.08]	FRACTIONS	
.XX = ±.02	[.51]		±.132
.XXX = ±.005	[.13]	ANGLES	± 1°
CABLE LENGTH (L) TOLERANCES:			
L ≤ 12 [305] = +1 [25] / -0			
12 [305] < L ≤ 60 [1524] = +2 [51] / -0			
60 [1524] < L ≤ 120 [3048] = +4 [102] / -0			
120 [3048] < L ≤ 300 [7620] = +6 [152] / -0			
300 [7620] < L = +5%L / -0			
ALL DIMENSIONS SHOWN ARE FOR REFERENCE ONLY.			

radiowaves an INFINITI® brand		THIRD-ANGLE PROJECTION	
40 High Street, North Andover, MA 01862, USA. Phone: 1.978.459.8800 1.978.495.3310 Tech. Support: 1.617.800.9448 Website: www.radiowaves.com E-mail: info@radiowaves.com		THE INFORMATION AND DESIGN IN THIS DOCUMENT IS THE PROPERTY OF RADIO WAVES, INC. ALL RIGHTS RESERVED.	
SIZE	CAGE CODE	DRAWN BY	ITEM NO.
A	1XC7	BPUCHASKI	GP-L1-32-T-MNT
			REV A

T-Rev.D